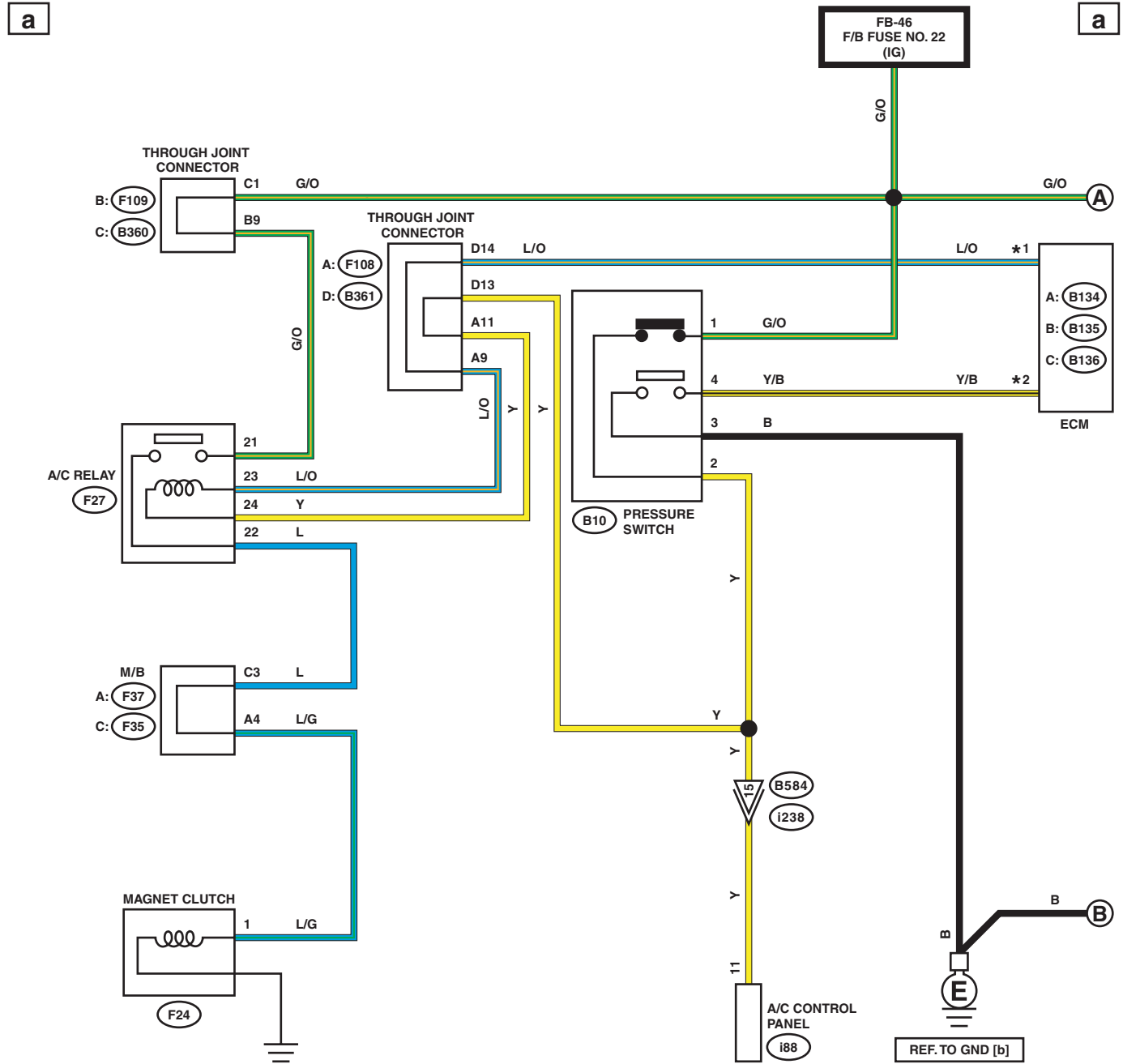


7. Air Conditioning System

A: WIRING DIAGRAM



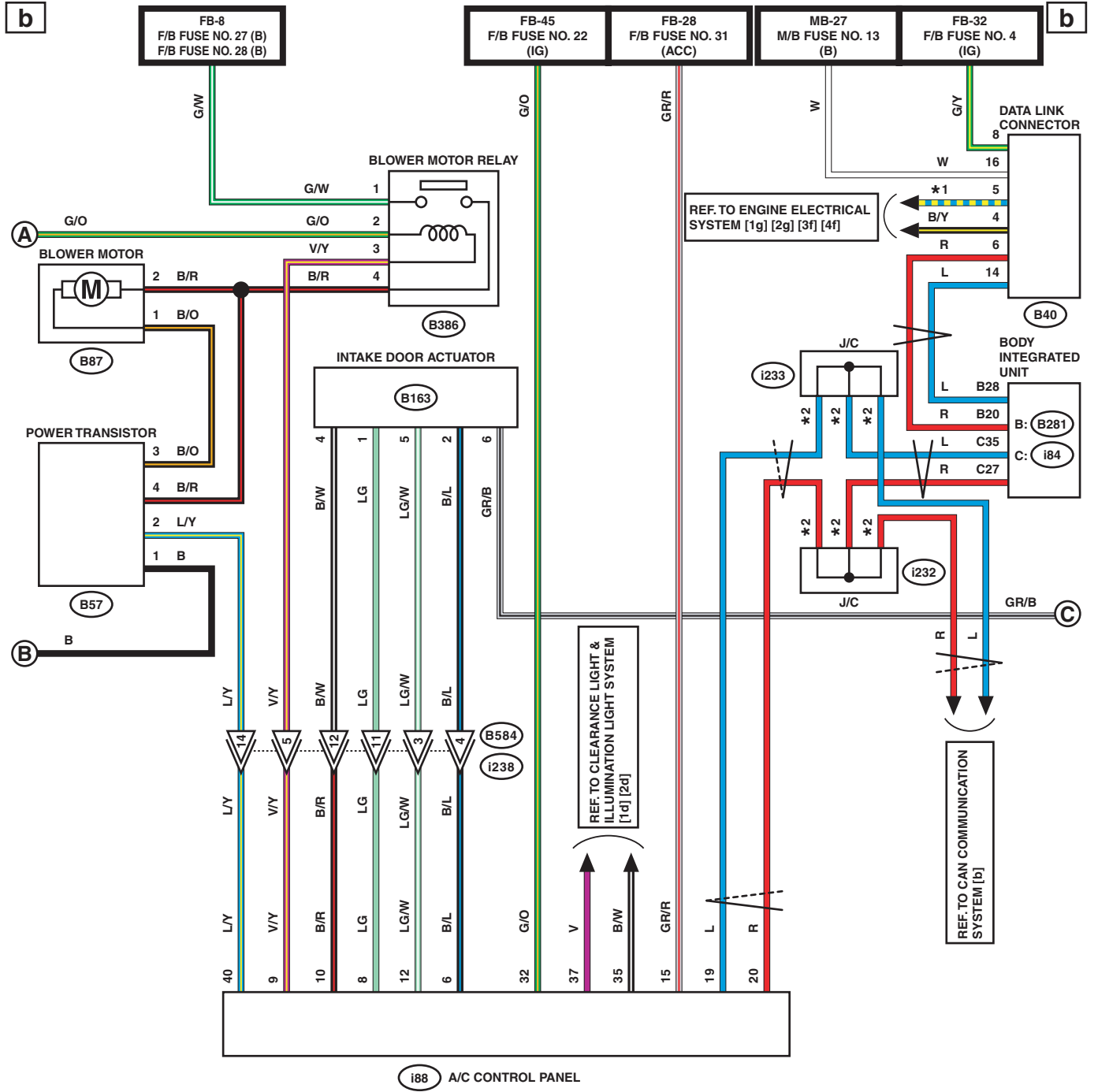
*1 : ENGINE TYPE FA : A1
ENGINE TYPE EJ : B35

*2 : ENGINE TYPE FA : A7
ENGINE TYPE EJ : C7

WI-44289

Air Conditioning System

WIRING SYSTEM



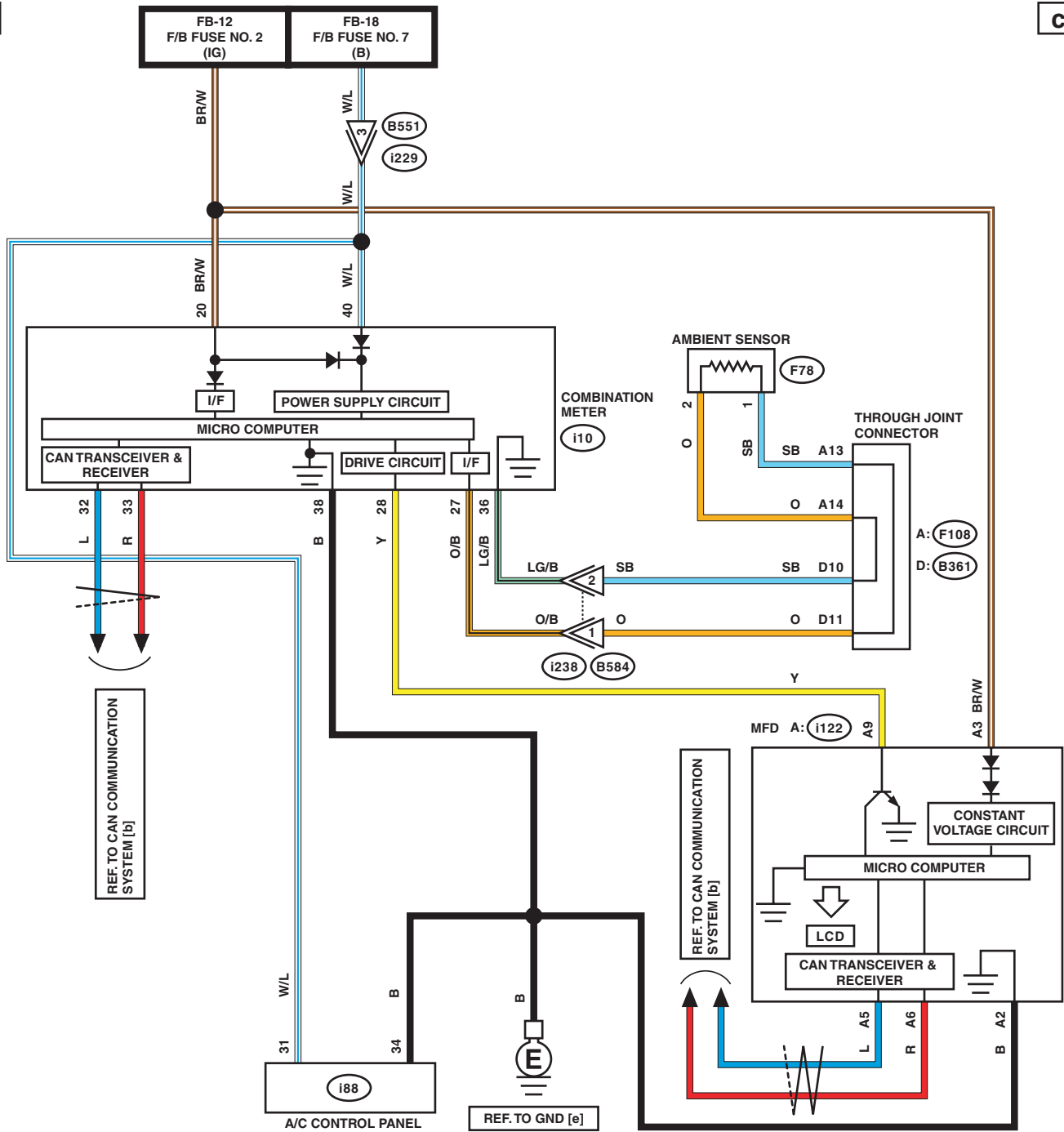
*1 : ENGINE TYPE FA : B/R
ENGINE TYPE EJ : B/W
*2 : TERMINAL No. OPTIONAL ARRANGEMENT

Air Conditioning System

WIRING SYSTEM

C

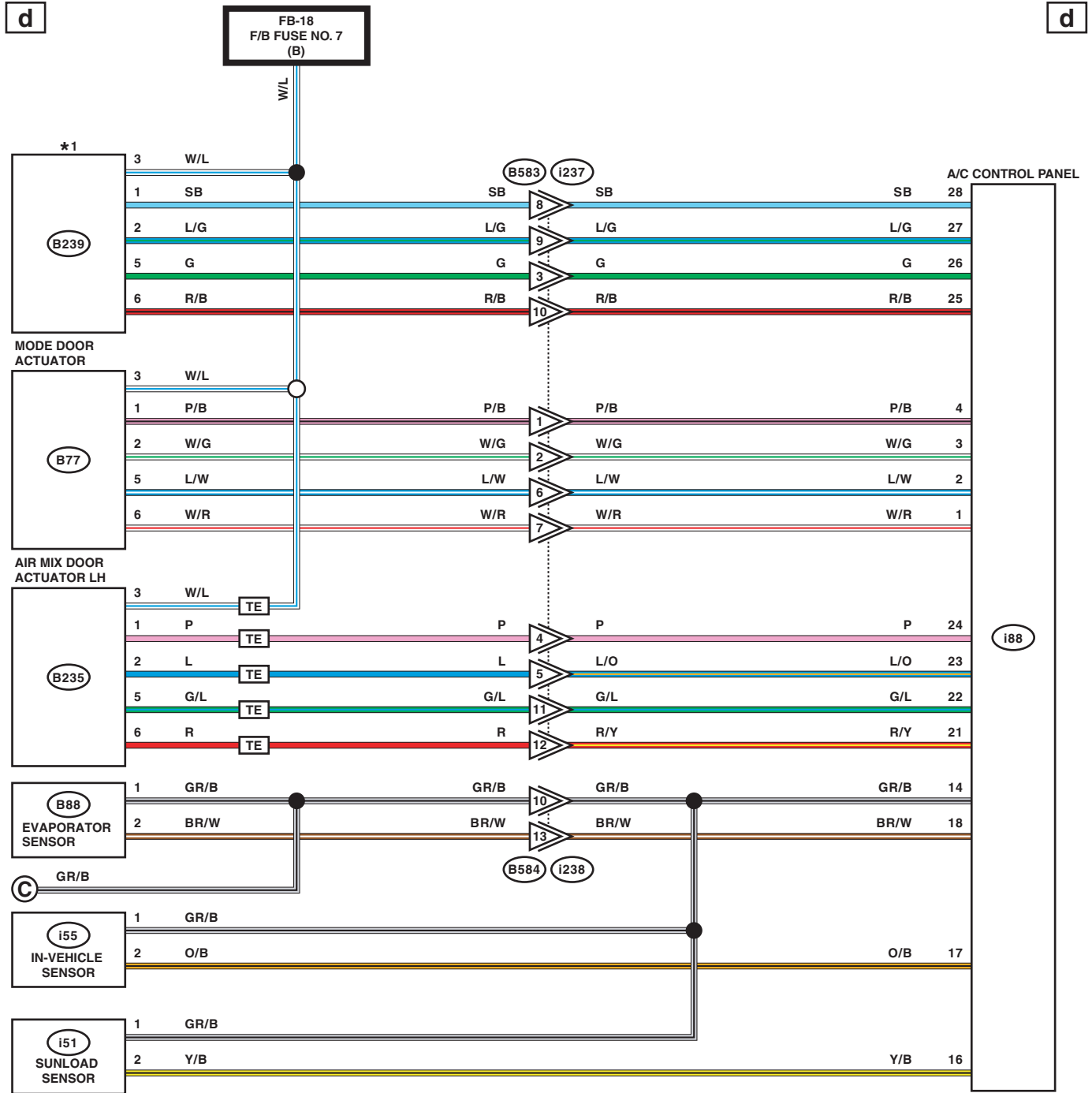
C



WI-44291

Air Conditioning System

WIRING SYSTEM



TE : WITH L/R INDEPENDENT AIR CONDITIONER

***1** : WITHOUT L/R INDEPENDENT AIR CONDITIONER : AIR MIX DOOR ACTUATOR
 WITH L/R INDEPENDENT AIR CONDITIONER : AIR MIX DOOR ACTUATOR RH

WI-44292

e

e

LIST OF CONNECTORS

